



# Q-Scanner DMT300

**Discover the "Q-Scanner" DMT300 - reading codes has never been easier.**

**Very fast - easy to use - IP67 protection**

The DMT300 tabletop reading system is the ultimate code reader for demanding applications in medical technology, on tools and in industry.

The IOSS "Q-Scanner" offers solutions for a broad range of applications such as the identification of UDI codes on implants and instruments, inventory management for tools and components or process control in industry. With its impressive characteristics, the Q-Scanner is setting new standards for reading codes efficiently.

This powerful scanner system combines perfect dome lighting with an extremely powerful decoding unit, which makes it one of the most outstanding tabletop reading systems on the market. With lightning speed it reads codes from a size of 1 mm, independent of the substrate. Even round, highly reflective surfaces are not a problem.

The white lighting is also suitable for all coloured plastics.

The operation of the DMT300 is as straightforward as it is efficient; the device does not require complex configuration. Simply connect the scanner via USB and it is ready to use immediately. Using a web browser, you can change the output format straightforwardly and quickly to suit your requirements.

With its efficiency, speed and versatility, the Q-Scanner makes it possible for you to read codes reliably and correctly in any environment. Ready to experience the future of code reading? Contact our IOSS team of experts and discover the advantages of the "Q-Scanner" for your company.



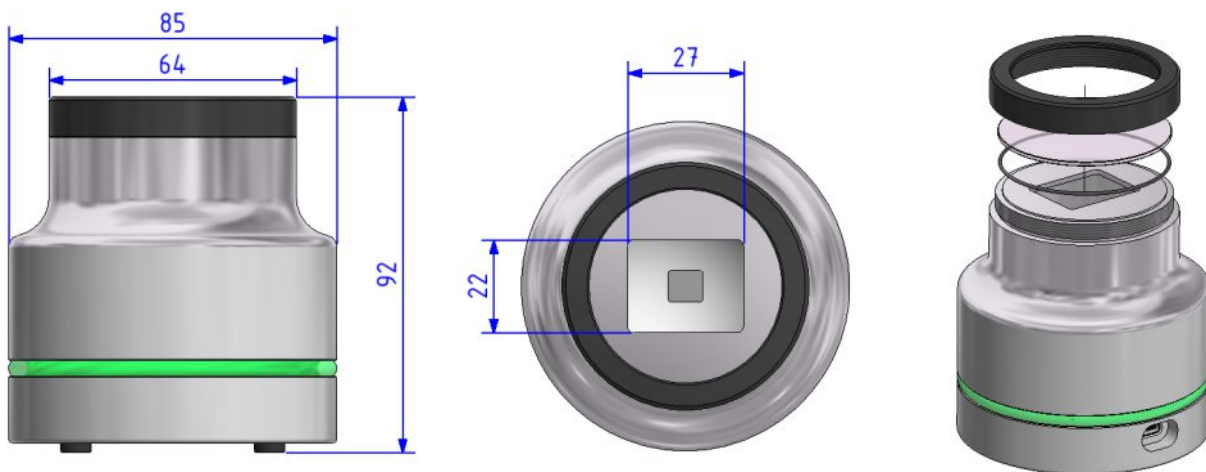
# Q-Scanner DMT300



## Technical data

<b>Application area</b>	Reading codes on metallic reflective and curved surfaces.
<b>Sensor technology</b>	CMOS, 1280 x 1024 pixels
<b>Lighting</b>	LED, white
<b>Frame rate</b>	50 frames/s
<b>Scanning distance</b>	0 – 20 mm, depending on the size of the code
<b>Reading window</b>	Approx. 27 x 22 mm
<b>Code type 2D</b>	Data Matrix incl. GS1, QR Code
<b>Code type 1D</b>	Code39, Code 93, Code128, Codabar, EAN8, EAN13, ITF14, UPCA, UPCE
<b>Minimum structure size</b>	Minimum module size approx. 75 µm (3 mil)
<b>Marking procedure</b>	All common procedures, as a rule laser marked
<b>Min. contrast</b>	20%
<b>Data output/interfaces</b>	<ul style="list-style-type: none"><li>• USB-HID</li><li>• Virtual COM-Port</li></ul>
<b>Status indication</b>	Acoustic beep signal (can be disabled) Coloured illumination of LED ring
<b>Dimensions</b>	Maximum ø 85 mm, height 92 mm
<b>Weight</b>	Approx. 560 g
<b>Power supply</b>	Via USB, 5 V 1000mA
<b>Temperature range</b>	0 – 50° C
<b>Protection class</b>	IP67
<b>Housing</b>	Aluminium (anodized)

Subject to change without prior notice. If you require additional information, please contact us.



Intelligente optische Sensoren & Systeme GmbH  
Fritz-Reichle-Ring 18  
D-78315 Radolfzell  
Tel.: +49 (0) 77 32 98 27 96 - 0  
Fax.: +49 (0) 77 32 98 27 96 -11  
info@ioss.de  
www.ioss.de

**I OSS**  
THE SENSOLUTION COMPANY

