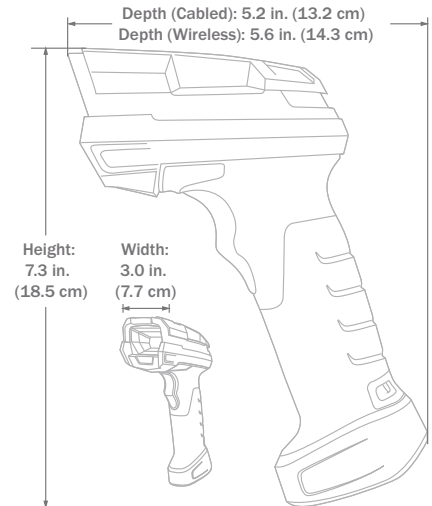


HANDHELD BARCODE READERS

HS-360X

SPECIFICATIONS AND OPTIONS



DIMENSIONS

Corded: Height: 7.3 in. (18.5 cm); Width: 3.0 in. (7.7 cm); Depth: 5.2 in. (13.2 cm); Weight: 10.72 oz./304 g
Cordless: Height: 7.3 in. (18.5 cm); Width: 3.0 in. (7.7 cm); Depth: 5.6 in. (14.3 cm); Weight: 14.18 oz. (402 g)

USER ENVIRONMENT

Operating Temperature: Corded: -22° F to 122° F (-30° C to 50° C); Cordless: -4° F to 122° F (-20° C to 50° C)
Storage Temperature: Corded: -40° F to 158° F (-40° C to 70° C); Cordless: -40° F to 158° F (-40° C to 70° C)
Humidity: 5% to 95% non-condensing
Drop Specification: Withstands multiple 8.0 ft./2.4 m drops to concrete
Tumble Specification: 5,000 tumbles @ 3.3 ft. (1 m)
Enclosure: Reader: IP65 and IP67; Cradle: IP65
ESD: Per EN61000-4-2, ±20 KV air discharge, ±10 KV direct discharge, ±10 KV indirect discharge
Ambient Light Immunity: 0 to 10,037 foot-candles/0 to 108,000 Lux (direct sunlight)
Industrial Fluids Tested and Tolerable: Motor/Engine Oil, Automatic Transmission Fluid (ATF), Continuously Variable Transmission Fluid (CVT), Industrial De-Greaser (Engine Brite Heavy Duty), Brake Fluid (DOT4)

ELECTRICAL

Input Voltage Range: Host-Powered: 4.5VDC min., 5.5 VDC max.; External Power Supply: 11.4 VDC min., 12.6 VDC max.
Operating Current: HDS-3608 (Corded): 360 mA (RMS typical)
Standby Current: HDS-3608 (Corded): 100 mA (RMS typical)
Battery: PowerPrecision+ 3100 mAh Li-Ion, Rechargeable (Included with wireless model)

COMMUNICATION

USB (HID Keyboard, USB Virtual COM), RS-232

WIRELESS CONNECTIVITY

Bluetooth Radio: Bluetooth Class 1, Version 4.0 (LE), serial port (SPP) and HID profiles
Data Rate: 3 Mbit/s (2.1 Mbit/s) for Classic Bluetooth; 1 Mbit/s (0.27 Mbit/s) for Low-Energy
Radio Range: Direct line of sight in open air: Class 1: Minimum 300 ft. (100.0 m); Class 2: Minimum 30 ft. (10.0 m)

ILLUMINATION

Direct: 2 warm white light LED;
Diffuse: Ring of red 634 nm LEDs
Targeting: 655 nm laser

INDICATORS

Direct Decode Indicator; LEDs; Beeper; Vibration

PERFORMANCE

Scans Per Full Charge: 100,000+
Imager Field of View: Horizontal: 31°; Vertical: 23°
Image Sensor: 1,280 x 960 pixels
Minimum Print Contrast: 15% minimum reflective difference
Skew/Pitch/Roll: Skew: ±60°; Pitch: ±60°; Roll: ±360°

UTILITIES

WebLink_{pc} allows you to configure the reader, upgrade firmware, and display decoded symbol data.

SYMBOLOGIES

2D: Data Matrix, Composite Codes, TLC-39, Aztec, MaxiCode, QR Code, Micro QR, Chinese Sensible (Han Xin), Postal Symbolologies, DotCode
Stacked: PDF417, MicroPDF417
Linear: Code 39, Code 128, Code 93, Codabar/NW7, Code 11, MSI Plessey, UPC/EAN, I 2 of 5, Korean 3 of 5, GS1 DataBar, Base 32 (Italian Pharma)

REGULATORY

Environmental: RoHS EN 50581: 2012
Electrical Safety: EU Safety: EN 60950-1: 2006+A11:2009+A1:2010+A12:2011+AC: 2011+A2:2013; International Safety: IEC 60950-1:2005+A1:2009+A2:2013; US/Canada Safety: UL 60950-1 (Ed. 2), CAN/CSA-C22.2 No. 60950-1-07
Laser/LED Safety: Exempt Risk Group LED per IEC/EN 62471 (Ed. 1); Class 2 Laser per IEC/EN 60825-1 (Ed. 3); Complies with 21 CFR 1040.10
EMI/RFI: IT Emissions: EN 55022:2010/AC: 2011 (Class B); IT Immunity: EN 55024: 2010; Heavy Industrial: EN 61000-6-2: 2005/AC:2005; Harmonic Current Emissions: EN 61000-3-2:2006+A1:2009+A2:2009 (Class B); Voltage Fluctuation and Flicker: EN 61000-3-3:2013; Medical Electrical Equipment: EN 60601-1-2:2007/AC:2010, IEC 60601-1-2:2007 (Modified); Radio Frequency Devices: 47 CFR Part 15, Subpart B, Class B Digital Apparatus: ICES-003 Issue 5, Class B

QMS CERTIFICATION

www.microscan.com/quality

©2019 Omron Microscan Systems, Inc. SP103B-EN-0119

Specifications are subject to change.
For complete technical information, please see the user manual.
Warranty - For current warranty information about this product, please visit www.microscan.com/warranty.

OMRON
MICROSCAN

www.microscan.com

HS-360X READ RANGES

Read Ranges

Symbology	Resolution	Inside Edge	Outside Edge
Code 39	3.0 mil	0.2 in. (0.5 cm)	2.8 in. (7.1 cm)
Code 39	5.0 mil	0.2 in. (0.5 cm)	2.8 in. (7.1 cm)
PDF417	6.6 mil	0.2 in. (0.5 cm) ¹	3.2 in. (8.1 cm) ¹
Data Matrix	5.0 mil	0.4 in. (1.0 cm)	2.5 in. (6.3 cm)
Data Matrix	10.0 mil	0.0 in. (0.0 cm)	3.4 in. (8.6 cm)
QR Code	5.0 mil	0.4 in. (1.0 cm)	2.5 in. (6.3 cm)
QR Code	10.0 mil	0.0 in. (0.0 cm)	3.4 in. (8.6 cm)
UPC	13.0 mil	1.0 in. (2.5 cm) ¹	5.8 in. (14.7 cm) ¹

¹Field of view and barcode width limited. Read ranges measured with Decoder Effort Level 1. Barcodes printed on photographic paper. 30 foot-candles ambient light conditions during testing.

IOSS WEB INTERFACE

Sales & Support by:

IOSS GmbH
 Fritz-Reichle-Ring 18
 D-78315 Radolfzell
 Tel: +49 (0)7732 982796-0
 Fax: +49 (0)7732 982796-11
sales@ioss.de
www.ioss.de